

The Versatile P.O.S. 12.1" TFT LCD Color Monitor

TVS
VIDEO SOLUTION PROVIDER
SINCE 1983



Brilliant Black and OA White
Two Colors Optional



**Stand Base With Tilt
45° Adjustment
Type A**



Cable management
(for touch version only)



VESA Wall Mounting
Meet VESA Standard
(75x75mm)



**Card Reader
Version**



"i-touch" Auto Adjustment
The Intelligent One Touch Key,
Automatically Set Your Monitor
to Optimal Position.



Features:

- ▶ Full 12.1" Viewable Display Crisp Image
- ▶ On Screen Display Easy to Use
- ▶ Auto Scaling Function Simply " i-touch "
- ▶ Stand Base With Tilt 45° Adjustment
- ▶ Ideal for POS/Kiosk Users and Windows Application
- ▶ Power Consumption 18W/3W DPMS
- ▶ State-of-the-Art Design
- ▶ Touch Version Availability
- ▶ Card Reader Version Availability
- ▶ Anti-Reflection Strengthen Glass availability
- ▶ Cable management for neat installation (Touch version only)



ISO 9001
ISO 14001



The Versatile P.O.S. 12.1" TFT LCD Color Monitor



Stand Base (0°~45°)
Standard Plate With Patent
Tilt Adjustment 0°~45° is
Designed for Different
Viewing Angles of
Various Applications.
Ideal for Touch
Screen Operation



MODEL		LP-12Rxx
Panel *	Viewing Area	12.1"
	Resolution	800 x 600 SVGA
	Color	262,144
	Viewing Angle	Horizontal: 120° & Vertical: 95°
	Response Time Tr/Tf	20/35 ms
	Contrast Ratio	200 : 1
	Brightness	300 cd/m ² (230 cd/m ² with Touch)
Video Input	VGA Signal	R/G/B Analog VGA
	Scan Frequencies	H: 31.5 ~ 48 KHz V: 56 ~ 72 Hz
Control	Power	On / Off with LED Indicator
	OSD	OSD Control with "i-touch" auto scaling
Power Adaptor	Input	Universal AC 100 ~ 240 V, 50 / 60 Hz
	Output	DC +12 V
Power	Management	VESA DPMS Standard
	Consumption	18W / 3W
Environment	Temperature	0°C ~ 40°C
	Humidity	10% ~ 85% (20%~85% for MSR)
Safety & EMI		FCC-B, ETL, ETL, CE, BSMI, CCC, CB
Applications		POS, Banking, ATM, IPC, TML, Web IA, Mini PC, ...etc
Optional		
	Touch Panel	Resistive (4 or 5Wires) / USB or RS-232 interface
	Glass	Anti-Reflection Strengthen Glass
	Card Reader	300,000 Pass or 1,000,000 Pass
	Cabinet Color	White or Black

Optional



Touch Screen



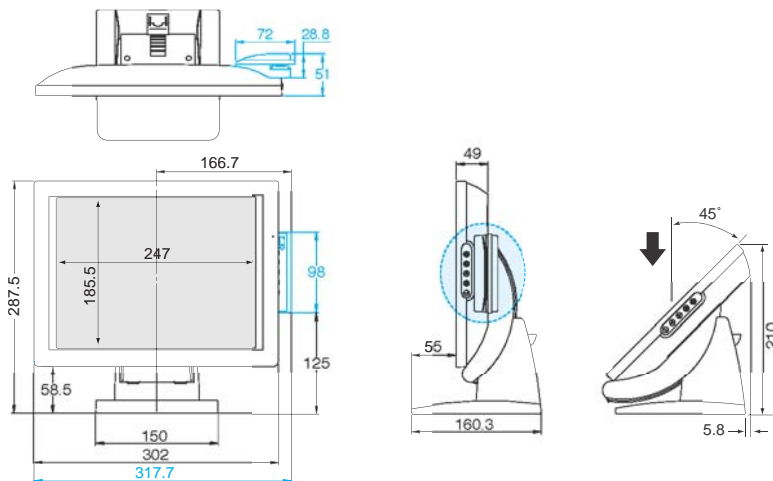
Anti-Reflection
Strengthen Glass



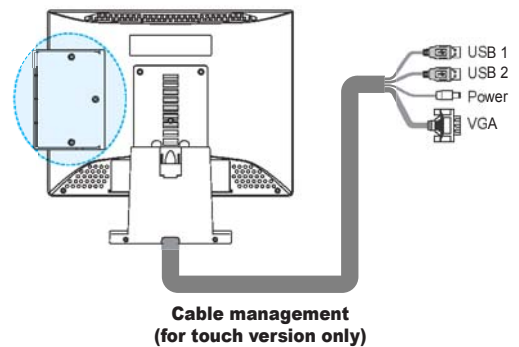
Card Reader Version

* Panel Spec. depends on MFC

Unit:mm



Card Reader Version



Cable management
(for touch version only)

Specification is subject to change without notice. 2008.01



TAIWAN VIDEO SYSTEM CO., LTD.

8F-2., No.188, Sec.3, Tatung Rd., Hsi-tze,
Taipei, Taiwan, R.O.C. 221
Tel: 886-2-86473637 Fax: 886-2-86473627
http://www.tvs.com.tw E-mail: info@tvs.com.tw

TVS GROUP

USA TVSA e-mail: info@eversun.com
Germany TVSG e-mail: info@tvs.de
China TVSC e-mail: info@tvs.com.cn

